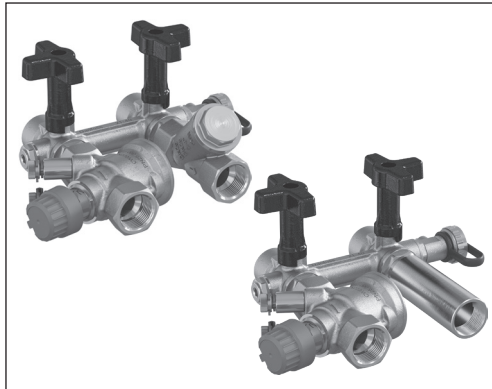


Data sheet

AB-QM 4.0 Flexo, DN 15-20, PN 25

Description



Danfoss AB-QM 4.0 Flexo with AB-QM valve, 3-way ball valve design, and 80mm center distance is a compact and time-saving connection set. It's designed for creating optimal hydronic balance in cooling and heating applications with the variable flow (such as fan coil units (FCU) or chilled beams). Flow is controlled by the AB-QM pressure independent control valve to avoid overflow and reduced efficiency of thermal unit.

Benefits: Installation

Saving time and space

- Pre-assembled design
- Reduced installation time
- Easy setting and sizing, 100% authority and perfect control.

Trouble-free installations

- Compact and space saving installation
- Pressure tested from factory - Nominal pressure PN25

Service:

Enable fast servicing, maintenance and trouble shooting

- Easy flushing
- Easy draining
- Easy bypass
- Easy cleaning of filter
- Enables pressure and flow validation

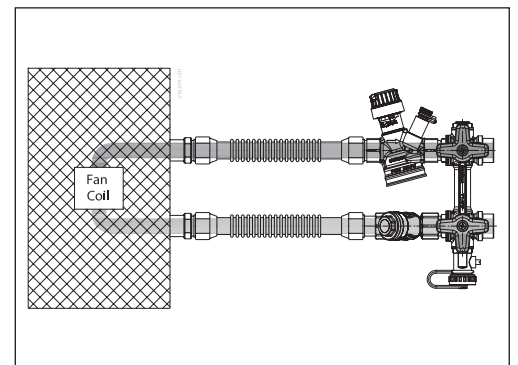
Energy efficiency:

Pressure independent flow control with AB-QM 4.0 Improved indoor comfort with best performance and energy savings. Efficient energy transfer and minimal pumping costs.

Applications

AB-QM 4.0 Flexo is a pre-assembled, pressure-tested set used for terminal units, such as FCU (Fan Coil Unit). The Danfoss AB-QM 4.0 Flexo solution comprises an H-body (with integrated shut-off valves & the possibility to mount measuring plugs), strainer, drain, and associated Danfoss AB-QM 4.0 pressure independent control valve.

The AB-QM ensures and controls the required flow on every terminal unit and maintains Hydronic balance in the system. The control valve has 100% authority and therefore ensures the stability of control. At partial load, there is no overflow, contrary to conventional solutions, because the AB-QM will always limit the flow to what is needed. By installing the AB-QM the whole system is divided into independent control loops.



There is a wide range of Danfoss actuators available for the AB-QM 4.0, suitable for every control need. Actuators¹⁾ are available as On/Off, 0-10 Volt, 4-20 mA, and digital via field bus.

¹⁾ for more details see AB-QM data sheet & actuators.

Ordering

AB-QM 4.0 Flexo with AB-QM valve

Picture	Type	Connection	Centre (mm)	Code No.
	DN15 LF (strainer)	Internal 1/2"	80	003Z1620
	DN15 (strainer)			003Z1621
	DN15 HF (strainer)			003Z1622
	DN20 (strainer)	Internal 3/4"		003Z1623
	DN20 HF (strainer)			003Z1624
	DN15 LF	Internal 1/2"	80	003Z1630
	DN15			003Z1631
	DN15 HF			003Z1632
	DN20	Internal 3/4"		003Z1633
	DN20 HF			003Z1634

AB-QM 4.0 Flexo Accessories

Description	Dimension	Material	Comments	Code No.
AB-QM 4.0 Flexo Insulation	DN15	EPP	Heating insulation	003Z4751
	DN20	EPP	Heating insulation	003Z4752
AB-QM 4.0 Flexo flexible pipe, PN25	DN15	SS	300 mm, set of 2 pcs	003Z4794
	DN20	SS	300 mm, set of 2 pcs	003Z4795
Flexo extended handle (sparepart)	DN15-DN20	Aluminum	Black	003Z4796
Test plug	DN15-DN20	DZR Brass	-	003Z0104
Measuring connector for drain	DN15-DN20	Brass	-	003L8143

For complete range of AB-QM actuators, accessories and spare parts please refer to AB-QM data sheet.

Technical data

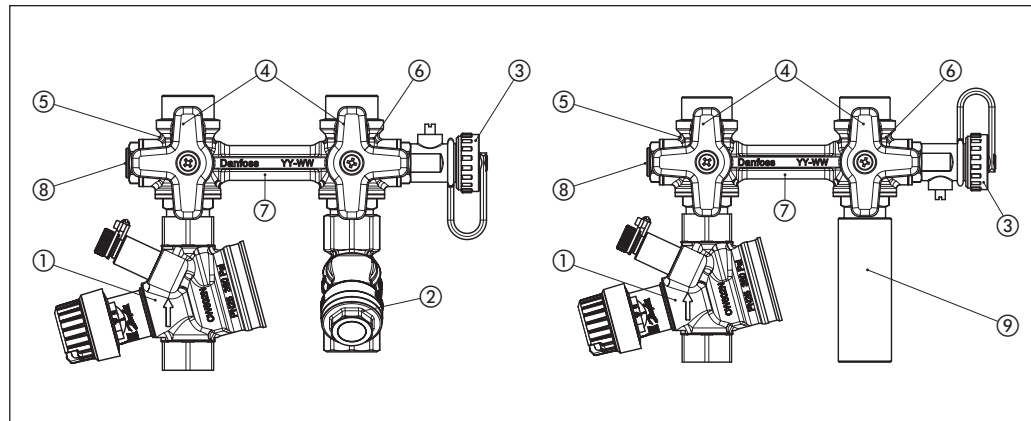
Nominal diameter		DN	15LF	15	15 HF	20	20 HF
Flow range	Q _{nom} (100 %) ¹⁾	l/h	200	650	1.200	1.100	1.900
Setting range ^{1), 2)}		%	10-100				
Diff. pressure ³⁾	Δp_{min} ⁴⁾	kPa	16	16	25	16	25
	Δp_{max}		600				
k_{vs} ⁵⁾		m ³ /h	5.6				
k_{vs} with strainer ⁵⁾			3.5				5
Pressure stage		PN	25				
Control range			1:1000				
Control valve's characteristic			Linear				
Leakage acc. to standard IEC 534			No visible leakage (at 100N)				
For shut off function			Acc. to ISO 5208 class A - no visible leakage				
Flow medium			Water and water mixture for closed heating and cooling systems according to plant type I for DIN EN 14868. When used in plant Type II for DIN EN 14868 appropriate protective measures are taken. The requirements of VDI 2035, part 1 + 2 are observed.				
Medium temperature		°C	(-10*) +2 ... +95				
Stroke		mm	4				
Connection	Connection port fan coil side		Internal thread Rp 1/2" (ISO 7/1)			Internal thread Rp 3/4" (ISO 7/1)	
	Connection port system side		Internal thread G1/2" (ISO228/1)			Internal thread G3/4" (ISO228/1)	
	Actuator		M30 x 1.5				
Insulation							
Density		g/l	60				
Water absorption		%	1.2±0.6				
Insulation property / thermal conductivity			39 mW/m/K				
Fire behavior classification			Building, Euroclass E				
Flex pipe	Connection port		Internal G1/2" (ISO228/1)			Internal G3/4" (ISO228/1)	
	Length		External G1/2" (ISO228/1)			External G3/4" (ISO228/1)	
			300				
Materials in medium							
Flexo H-piece	Body and connection		DZR Brass (CW602N)				
	Strainer						
	Drain valve						
	Fittings, unions						
	Gasket		PTFE				
Material out of medium							
Flexo H-piece	Operating handles		Aluminium				
	Handwheel screw		Stainless steel				
Materials in medium							
PICV (AB-QM)	Valve bodies		DZR Brass (CW602N)				
	Membranes and O-rings		EPDM				
	Springs		W.Nr. 1.4310				
	Spring support		PPSU				
	Shutter		DZR brass (CW602N)				
	Cone (Cv)		PPSU				
	Seat (Cv)		DZR brass (CW602N)				
	Screw		Stainless Steel (A2)				
Material out of medium							
PICV (AB-QM)	Plastic parts		PA 6				
Accessories							
Accessories	Insulation		EPP				
	Flexible pipe	Pipe	Stainless steel (1.4401)				
		Union	Nickel plated Brass (CW602N, Ni 2)				
		Nut	Nickel plated Brass (CW602N, Ni 2)				
		Washer	EPDM				
	Test plug		DZR (CW602N)				

¹⁾ Factory setting of the valve is done at nominal setting range.
²⁾ Regardless of the setting, the valve can modulate below 1 % of set flow.
³⁾ At min differential pressure valve reaches at least 90% of nominal flow. Declaration of performance is available upon request.
⁴⁾ AB-QM 4.0
⁵⁾ Flexo connection set without AB-QM 4.0
⁶⁾ If the medium temperature when using AB-QM DN 15-20 is below 2 °C, than ice forming on the spindle must be prevented, therefore valve should be insulated with dedicated cooling insulation.

According suitability and usage especially in not oxygen tight systems please mind the instructions given by the coolant producer.
Pc - pressure controller part
Cv - Control valve part

Design

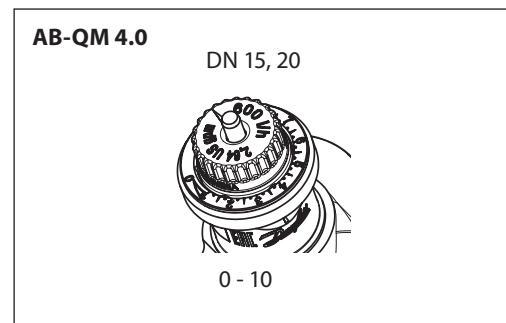
1. AB-QM 4.0.
2. Strainer
3. Drain connection & measuring station
4. Black handle
5. 3-way return valve
6. 3-way inlet valve
7. Bypass
8. Optional test plug connections
9. Stainless steel pipe



Presetting

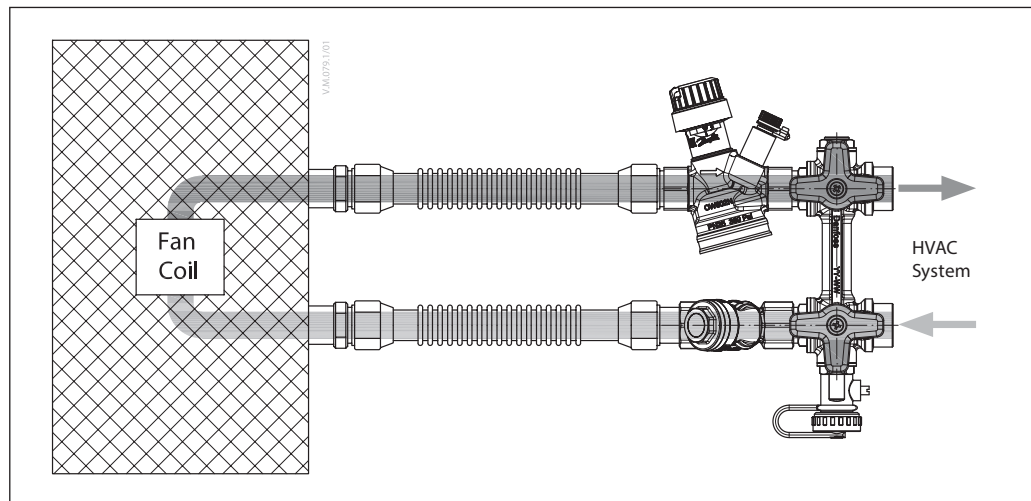
The calculated flow can be adjusted easily without using special tools. The change of presetting (factory setting is 100% (10) follow steps below:

1. Remove the blue protective cap or the mounted actuator
2. Turn the pointer (clockwise to decrease) to the new setting



Installation

Small installation dimensions enable easy installation of Flexo connection set even in limited space. PICV valve should be installed in the return pipe from the thermal unit with the flow in the direction of the arrow on the AB-QM valve body. Danfoss highly recommends installing Flexo using flexible pipes.



Note:
 The connection set can be installed in both cooling and heating applications.
 In cooling application depending on design condition and humidity, Flexo set shall be insulated fully with vapor tight insulation.

Sizing

Example:

Given:

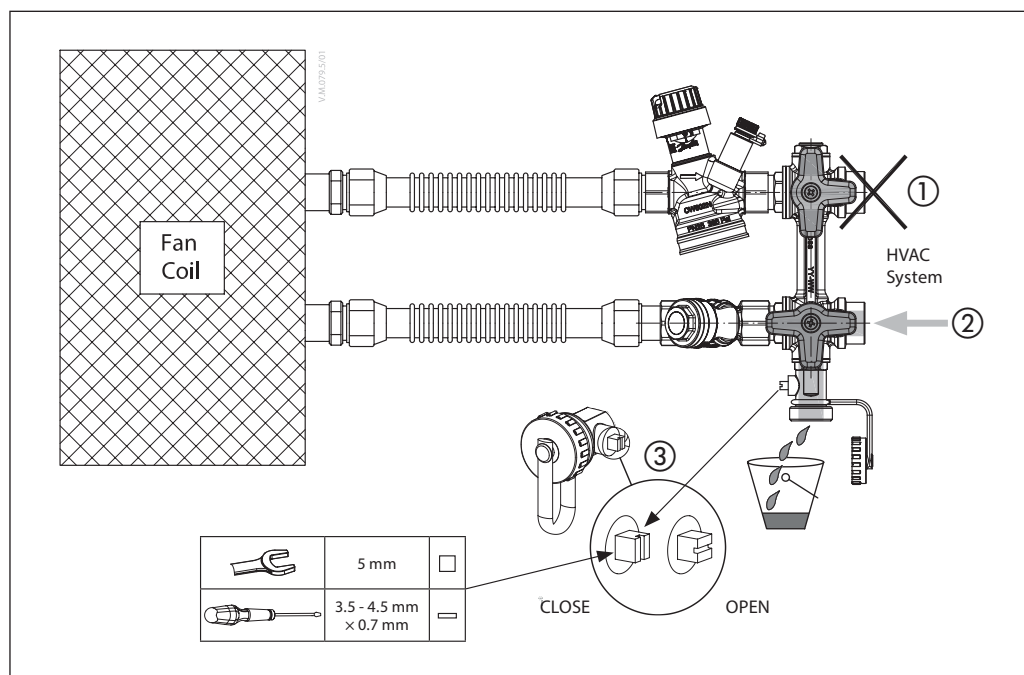
Design flow in system 0.2 l/s (0,72m³/h = 720l/h),

Solution:

In this case we can select AB-QM 4.0 DN15HF (Fig.2) with Q_{nom} = 1200 l/h AB-QM and presetting.

Setting on the valve AB-QM DN 15 HF is design flow divided by nominal valve capacity, 720 l/h divided by 1200 l/h = 60 %.

Flushing



There are three basic modes during flushing:

Forward flushing and draining of system should be done via drain connection. Use the following procedure to drain (Fig. 3):

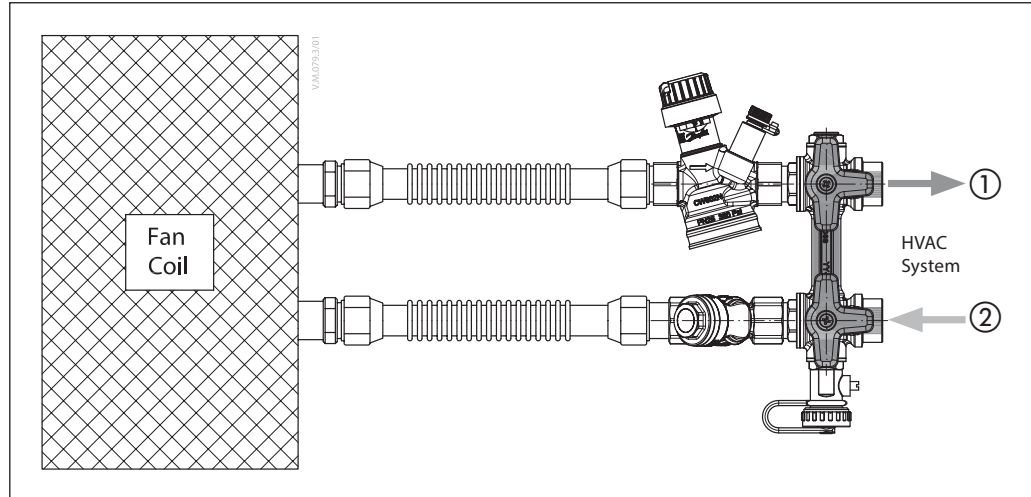
1. Connect pipe on drain connection
2. Adjust outlet 3-way valve to open bypass ①
3. Open 3-way valve on inlet side ②
4. Open shut-off valve on drain ③
5. Drain the system

Flushing (continuous)

Flushing of main pipe (bypass)

High level of cleanliness of main pipe network flushing is achievable since thermal units are isolated. Use the following procedure for flushing main pipe via bypass pipeline (Fig. 4):

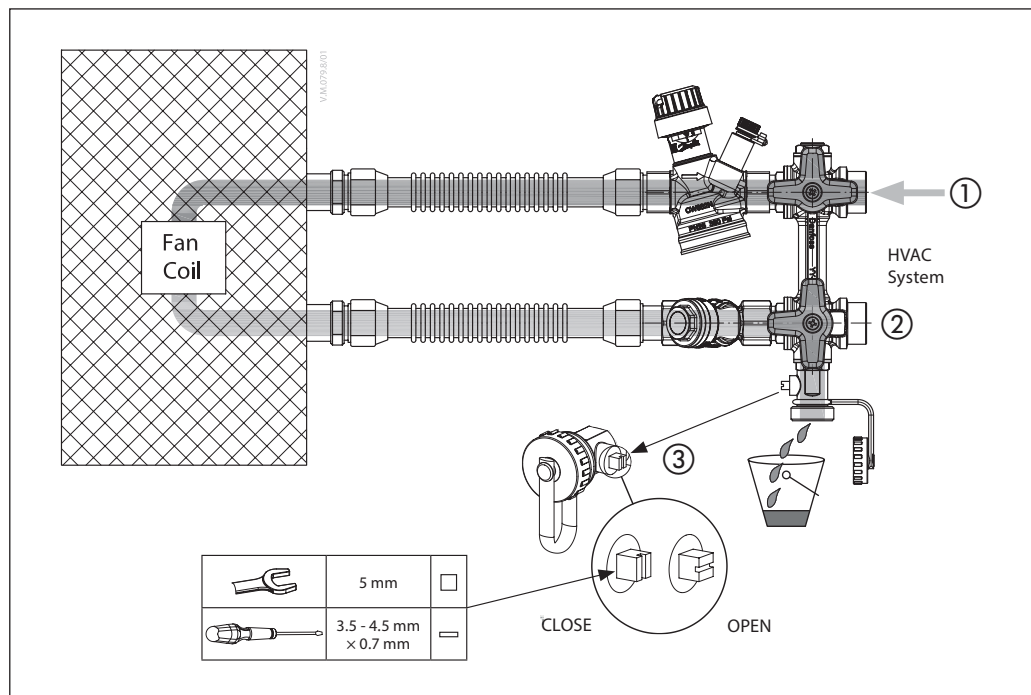
1. Adjust both 3-way valves to open bypass ① ②
2. Start with flushing procedure



Backward flushing and draining

Offers cleaning of thermal unit. Backward flushing of fan coil should be done only with full open valve or full open actuator mounted on the valve. Use the following procedure for flushing main pipe via bypass pipeline (Fig. 5):

1. Connect pipe on drain connection ①
2. Close inlet 3-way valve ②
3. Open shut-off valve on drain ③
4. Start with flushing procedure



Tender text

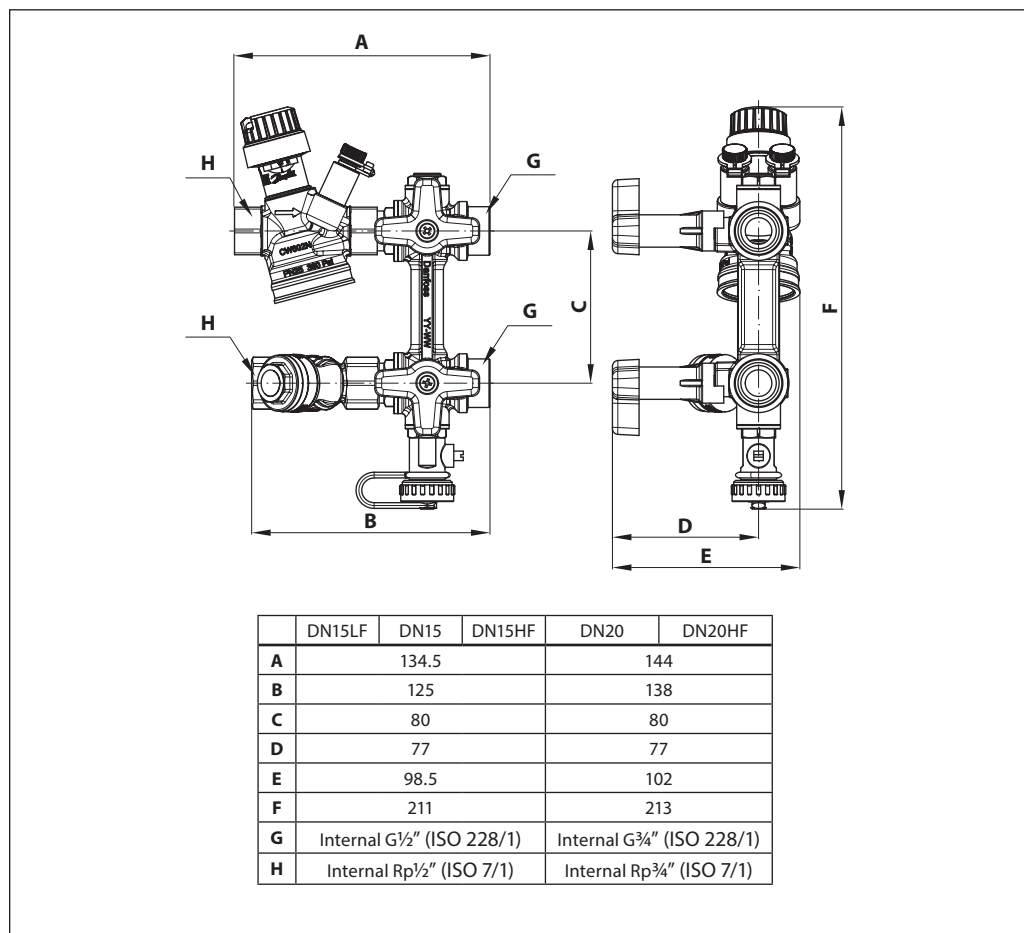
The terminal units shall be connected to the system by way of a valve assembly. This valve assembly shall have the following characteristics:

- The valve set shall comprise of the following components, PICV, H-piece valve body, measuring points, strainer valve, drain, operating handles.
- The assembly shall have a bypass line that, by manipulating the ball valves, will be able to insulate the terminal unit and PICV to allow forwards- and backward flushing of the system
- The valve set shall have extended handles to allow operation with the insulation.
- It shall be possible to shut off the bypass
- The set shall be suitable for 25 Bars of static pressure (PN25)
- The set shall be leak tested
- If required, the set shall be insulated by an EPP form-fitting shell

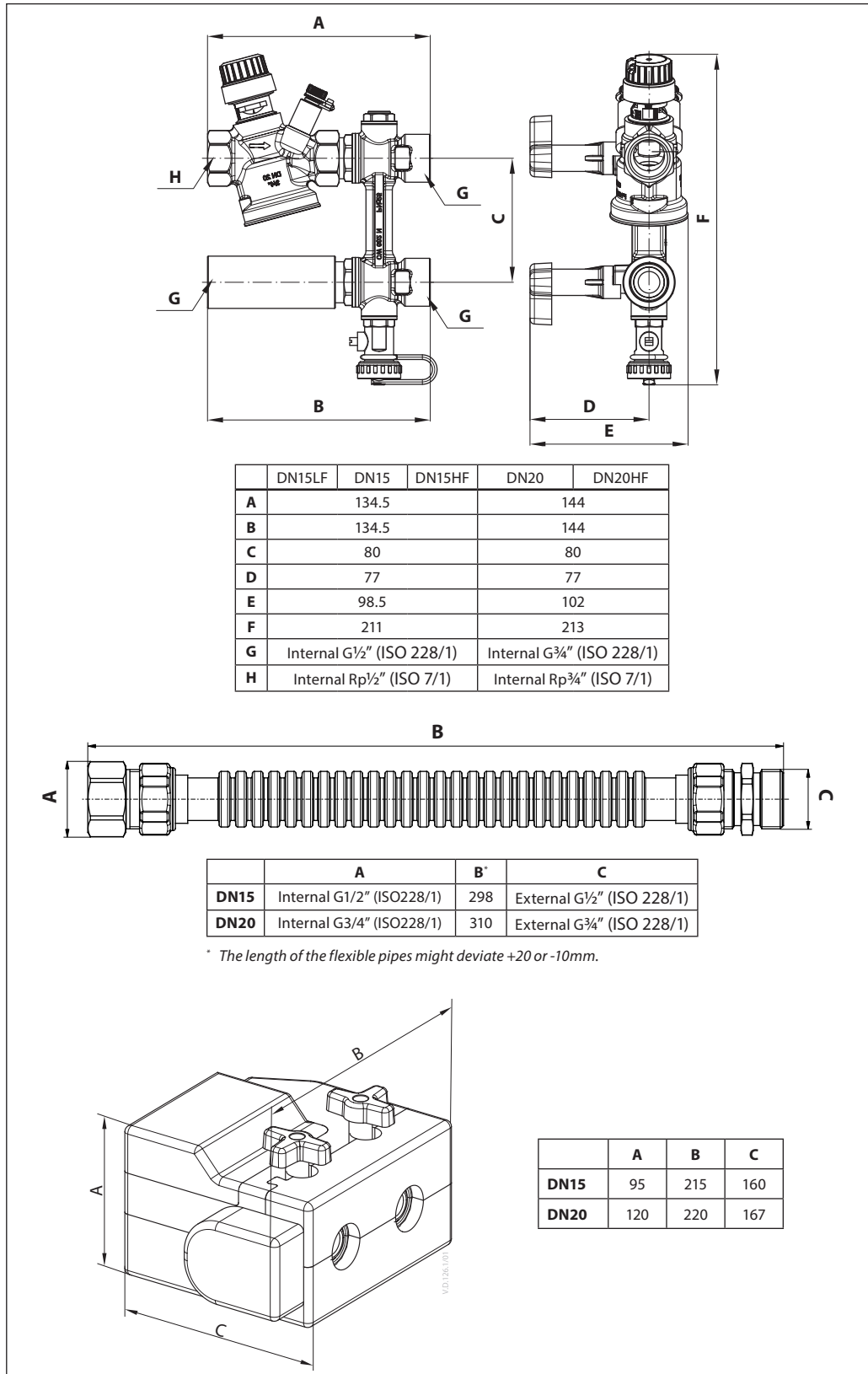
The PICV shall have the following characteristics:

- Flow limitation function
- Modulating below 1% of set flow, regardless of the setting,
- Authority of 1 at all settings
- Able to close against 16 bars of differential pressure.
- Linear control characteristic
- Setting scale in the percentage of flow
- Control ratio 1:1000
- Test plugs for pump optimization and flow measuring
- Characteristic changed from linear to equal percentage characteristic at all sizes by adjusting actuator settings
- Leakage rate Class IV

Dimensions



Dimensions (continuous)



Danfoss A/S

Climate Solutions • danfoss.com • +45 7488 2222

Any information, including, but not limited to information on selection of product, its application or use, product design, weight, dimensions, capacity or any other technical data in product manuals, catalogues descriptions, advertisements, etc. and whether made available in writing, orally, electronically, online or via download, shall be considered informative, and is only binding if and to the extent, explicit reference is made in a quotation or order confirmation. Danfoss cannot accept any responsibility for possible errors in catalogues, brochures, videos and other material. Danfoss reserves the right to alter its products without notice. This also applies to products ordered but not delivered provided that such alterations can be made without changes to form, fit or function of the product.

All trademarks in this material are property of Danfoss A/S or Danfoss group companies. Danfoss and the Danfoss logo are trademarks of Danfoss A/S. All rights reserved.