

PRESSURE REDUCING VALVES (PRV)

D1725

Pressure Reducing Valve



PN25

Features & Benefits

- PRVs enable control of pressure from boosted hot and cold water supplies to match site requirements
- Includes male union tail-pieces for ease of installation, reducing time spent on site
- Features an integral strainer preventing debris from affecting valve performance
- Recommend that isolation valves are fitted upstream and downstream of the valve to enable isolation for cleaning of strainer
- Performance in accordance with BS EN 1567 for quality assurance
- Easy access for measuring the outlet pressure
- A pressure gauge is available to measure outlet pressure for each installed valve and should be ordered separately
- WRAS Approved to 80°C for drinking water applications



D1725

PUBLIC HEALTH

Pressure Gauge

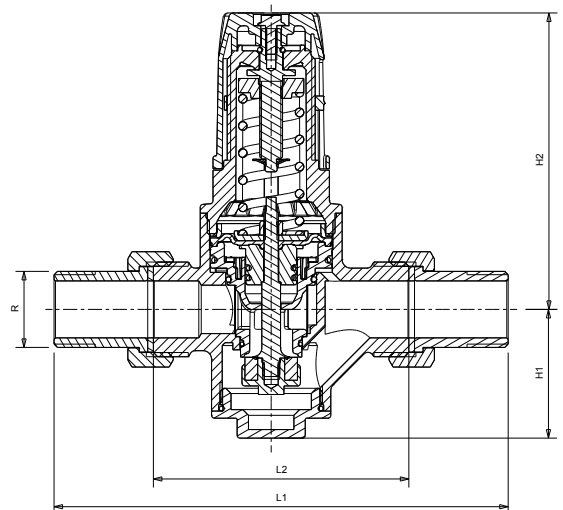
Pressure gauge used to measure outlet pressure; available as 1/4" male threaded back connection



Materials

PART	MATERIAL	SPECIFICATION
Body	DZR Brass	EN 12165: CW625N
Plug (Bottom Cap)	DZR Brass	EN 12165: CW625N
Bonnet (Upper Cap)	Polyamide	PA6 GF30
Cartridge	Acetal	POM
Filter Screen	Stainless Steel	AISI 304
Spring	Spring Steel	EN 10270-1
Nuts	Brass	EN12165: CW617N
Dismantling Fittings	DZR Brass	EN 12164: CW626N
Other Internal Parts (in contact with water)	DZR Brass	EN 12165: CW626N
Other Components (not in contact with water)	Brass	EN 12165: CW614N
Diaphragm	EPDM	-
Seat Gaskets	EPDM	-
O-Rings	EPDM	-
Gaskets	Pressed Fibre	(Asbestos Free)

Dimensional Drawing



Dimensions & Weights

SIZE (inch)	L1 (mm)	L2 (mm)	H1 (mm)	H2 (mm)	THREAD R (inch)	WEIGHT (kg)
1/2	140	80	45	104	1/2	0.8
3/4	160	90	45	104	3/4	0.9
1	180	100	49.5	131	1	1.5
1 1/4	200	105	58.5	130	1 1/4	1.7
1 1/2	225	130	72.5	166.5	1 1/2	3.5
2	252	140	82	163.5	2	4.2

Max Flow

SIZE (inch)	1/2	3/4	1	1 1/4	1 1/2	2
MAX. CAPACITY (l/s)	0.35	0.63	1.00	1.60	2.53	3.89

PRESSURE RATING: PN25

MEDIUM: Water Only

CONNECTIONS: Male union tapered tail-pieces to BS EN 10226-1

OUTLET PRESSURE RANGE: 1-6 bar

PRE SET OUTLET PRESSURE: 3 bar

MAX TEMPERATURE: 80°C

DESIGN STANDARD: BS EN 1567

APPROVALS: WRAS • PED 2014/68/EU

MESH SIZE: 0.5mm all sizes

Valid as of 150818

Every effort has been made to ensure that the information contained in this publication is accurate at the time of publishing. Crane Ltd assumes no responsibility or liability for typographical errors or omissions or for any misinterpretation of the information within the publication and reserves the right to change without notice.